

TOOLKIT^{PRO} NO. 1

Number of jigs & fixtures included in the kit: 146



TOOLKIT^{PRO} NO. 2

Number of jigs & fixtures included in the kit: 96



8x FASTENING CLAMP
N.001A



4x FASTENING CLAMP WITH LEVER
N.001B



2x VARIABLE THROAT DEPTH CLAMP
N.001C



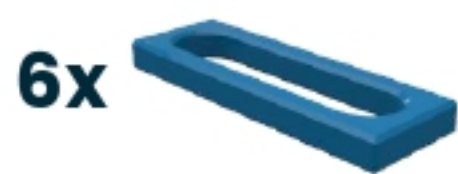
2x VARIABLE THROAT DEPTH WITH LEVER CLAMP
N.001D



30x FAST ASSEMBLY BOLT 30 PRO
N.002PRO



6x ECCENTRIC STOP PRO Ø100
N.003PRO



6x STOP PRO 150
N.004PRO



4x STOP PRO 225
N.005PRO



2x STOP PRO 500
N.007PRO



1x PROTRACTOR PRO
N.008PRO



4x ANGLE PRECISION SQUARE (FLAT) PRO 320X150
N.010PRO



2x ANGLE PRECISION SQUARE (FLAT) PRO 350X250
N.011PRO



4x ANGLE BRACKET PRO 185X175
N.012PRO



2x ANGLE BRACKET PRO 200X200
N.013PRO



2x ANGLE BRACKET PRO 300X190
N.014PRO



2x ANGLE BRACKET PRO 450X250
N.015PRO



1x TABLE EXTENSION PRO 1000X100
N.017PRO



1x TABLE EXTENSION PRO 1000X200
N.018PRO



4x PRISM Ø58MM 130°/90°
N.023



1x WELDING TORCH HANDLE
N.020



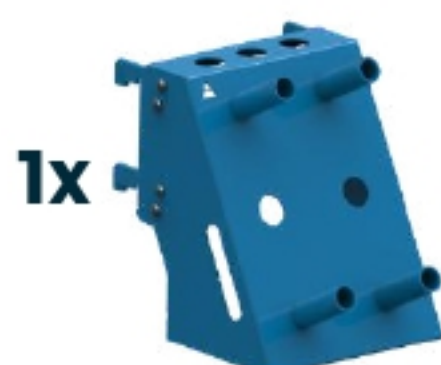
2x FAST ASSEMBLY BOLT SHELF M
T.011B



2x CLAMP SHELF M
T.011D



2x FLATSHELF M
T.011F



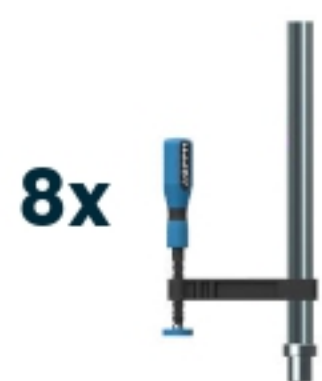
1x MIX SHELF
T.011H



1x TOOL TROLLEY M / TOOL TROLLEY L (OPTIONS)
T.012B / T.012A

TOOLKIT^{PRO} NO. 3

Number of jigs & fixtures included in the kit: 60



8x

FASTENING
CLAMP
N.001A



2x

FASTENING
CLAMP
WITH LEVER
N.001B



18x

FAST ASSEMBLY
BOLT 30 PRO
N.002PRO



4x

ECCENTRIC
STOP PRO Ø100
N.003PRO



4x

STOP PRO
150
N.004PRO



4x

STOP PRO
225
N.005PRO



1x

PROTRACTOR
PRO
N.008PRO



2x

ANGLE PRECISION
SQUARE (FLAT)
PRO 320X150
N.010PRO



2x

ANGLE PRECISION
SQUARE (FLAT)
PRO 350X250
N.011PRO



4x

ANGLE BRACKET
PRO 185X175
N.012PRO



2x

ANGLE BRACKET
PRO 200X200
N.013PRO



2x

ANGLE BRACKET
PRO 300X190
N.014PRO



1x

ANGLE BRACKET
PRO 450X250
N.015PRO



2x

PRISM Ø58MM
130°/90°
N.023



1x

WELDING TORCH
HANDLE
N.020



1x

FAST ASSEMBLY
BOLT SHELF M
T.011B



1x

CLAMP SHELF M
T.011D



1x

FLATSHELF M
T.011F

TOOLKIT ^{PRO} NO. 4

Number of jigs & fixtures included in the kit: 28

